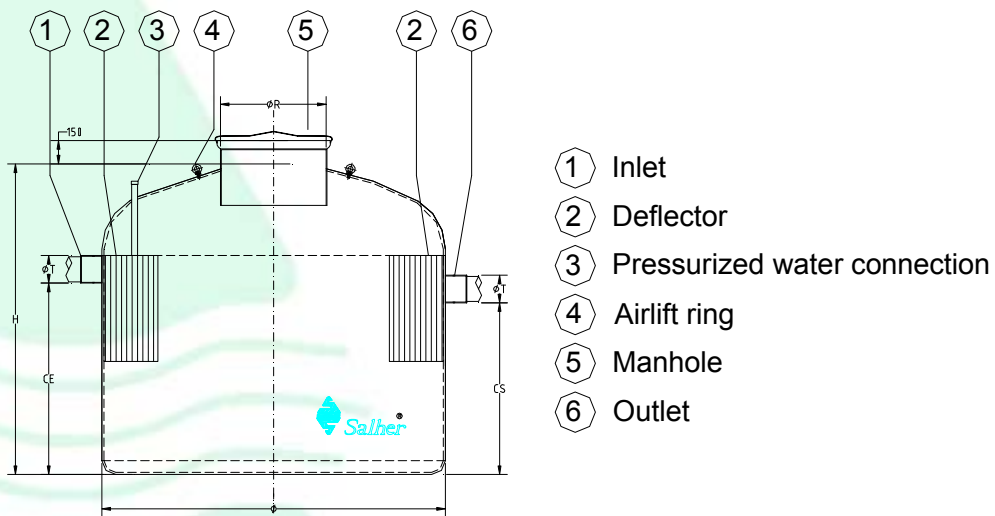


FLOUR SEPARATOR
REF : CVC – SF

Characteristics:

- Salher brand, model CVC – SF.
- Manufactured in Glass Fiber Reinforced Polyester (GFRP) with orthophthalic resins.
- PVC inlet and outlet pipes.
- Outlet in the manhole to install a ventilation pipe.



- ① Inlet
- ② Deflector
- ③ Pressurized water connection
- ④ Airlift ring
- ⑤ Manhole
- ⑥ Outlet

| Meals/Day | Capacity [liters] | Ø [mm] | H [mm] | Ø Manhole [mm] | Ø Pipe [mm] |
|----------------|-------------------|--------|--------|----------------|-------------|
| Up to 100 | 250 | 750 | 650 | 400 | 125 |
| 100 to 200 | 500 | 1.000 | 750 | 400 | 125 |
| 201 to 300 | 750 | 1.000 | 1.070 | 400 | 125 |
| 301 to 500 | 1.000 | 1.000 | 1.320 | 400 | 125 |
| 501 to 700 | 1.500 | 1.400 | 1.200 | 500 | 200 |
| 701 to 1.000 | 2.000 | 1.400 | 1.440 | 500 | 200 |
| 1.001 to 1.500 | 3.000 | 1.700 | 1.490 | 620 | 200 |
| 1.501 to 2.000 | 4.000 | 1.700 | 1.930 | 620 | 250 |
| 2.001 to 2.500 | 5.000 | 1.700 | 2.370 | 620 | 250 |